

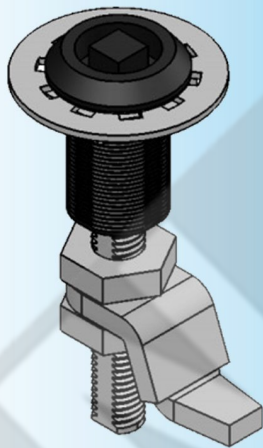
For Product Step File or 3D Model Send a Request Mail To info@nrack.com



Photo View



3D Rendered View

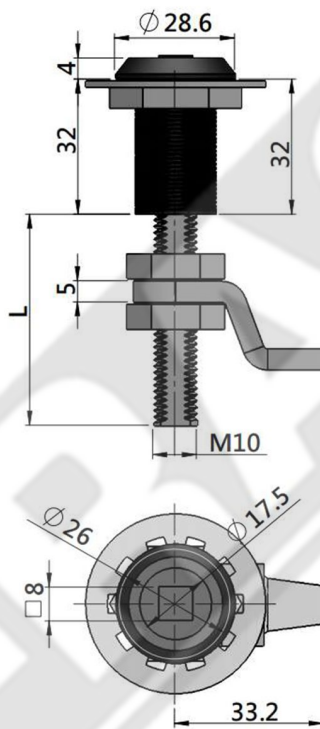


MS 816

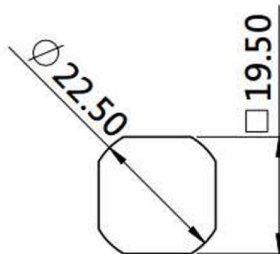
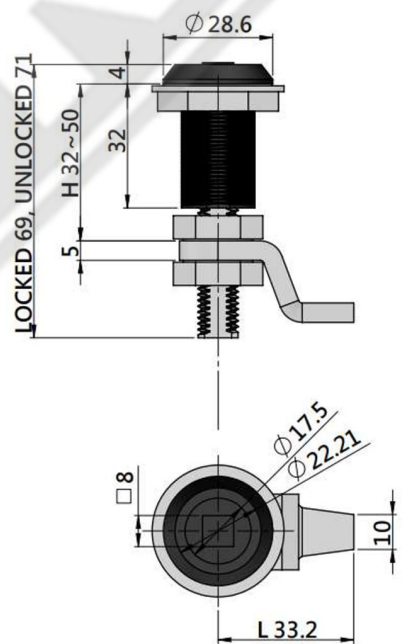
- Material: Zinc die-casting body, Zinc plating cam
- Finish: Black powder coated
- Panel thickness: 1~8mm
- Remark: compression Latch, 7mm pull-up

Compression Locks

MS 816-2 (Die Cast)



MS 816-2



CUT OUT

LENGTH
50
75